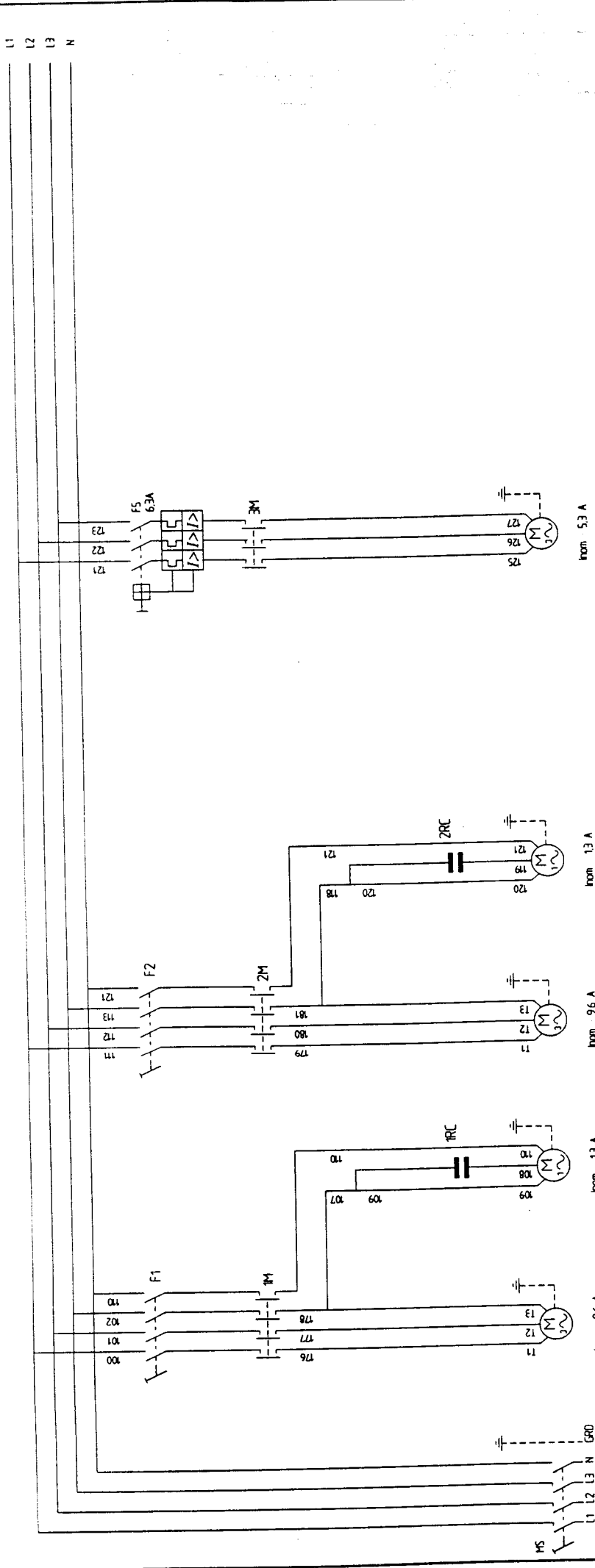


0	1	2	3	4	5	7	8	9
	COMPRESSOR 1	CONDIFAN 1	COMPRE	CONDIFAN 2				



Unit reference
 TYPE DIG 120 (reset)
 MAIN CURRENT

Scale
 Drawing by: SJ
 Date: 09/07/98

Drawing reference

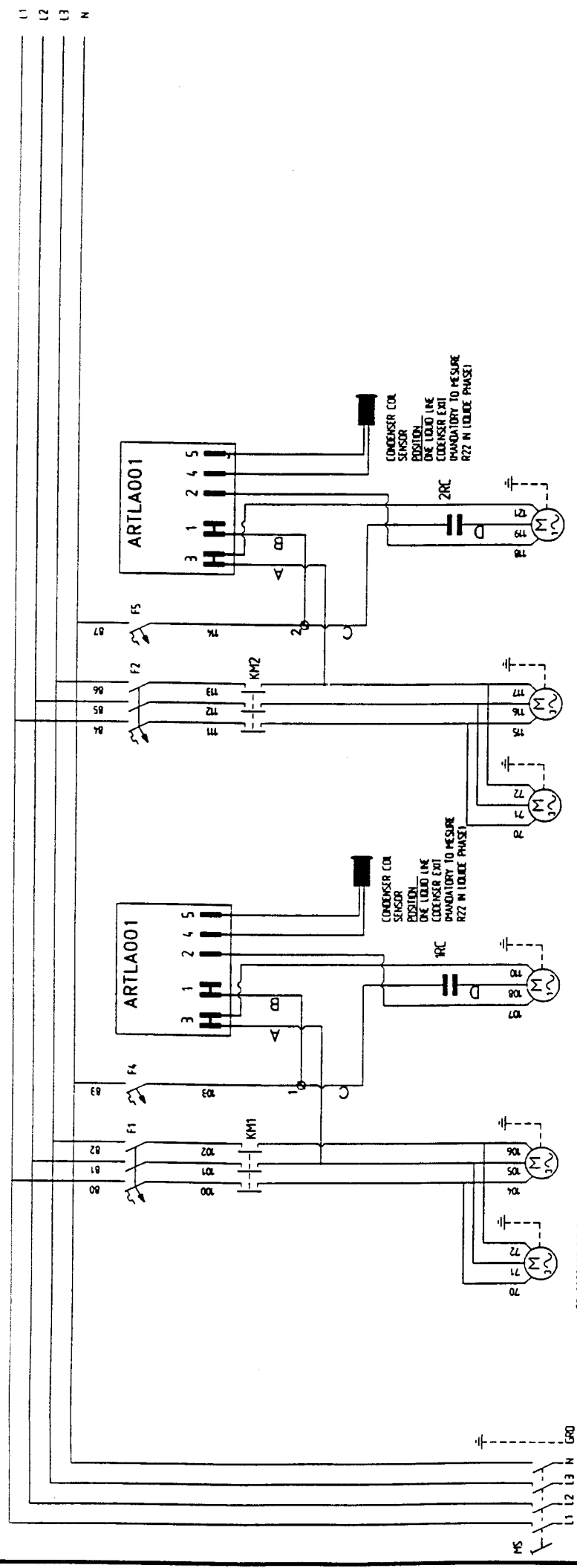
Sheet number

Rev

Site

AVOVRK

0	1	2	3	4	5	6	7	8	9
	COMPRESSOR 1	CONDIFAN1 WITH LOW AMBIENT KIT			COMPRESSOR 2	CONDIFAN2 WITH LOW AMBIENT KIT			



Refer to name plate for Amperages

D2IG090 to 150 - Motor 2
D2IC090 to 150 - Motor 2

WIRE	Number in the control box	Number on the motor leads
A	118	118
B	121	121
C	Not supplied	Not supplied
D	119	119

Refer to name plate for Amperages

D2IG090 to 150 - Motor 1
D2IC090 to 150 - Motor 1

WIRE	Number in the control box	Number on the motor leads
A	107	107
B	110	110
C	Not supplied	Not supplied
D	108	108

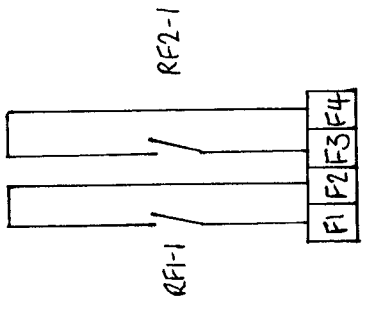
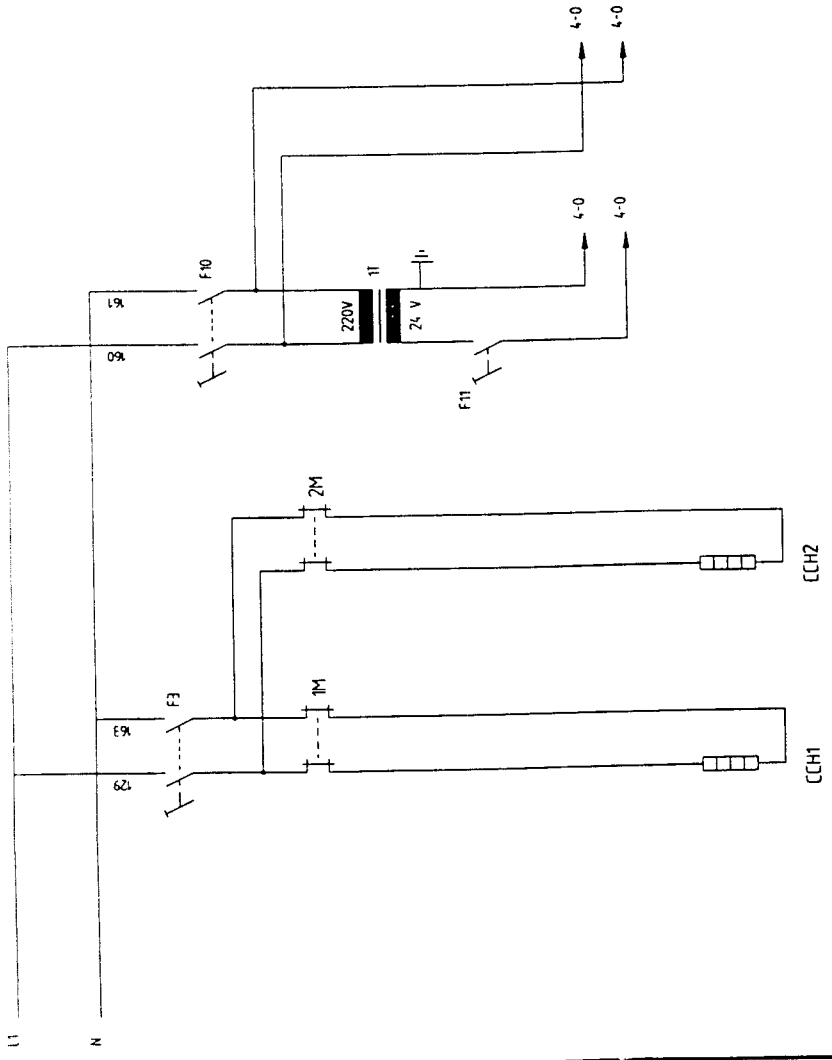
Unit reference
 TYPE D2IG 090 to 150 / D2IC 090 to 150 - with ARTLA001
 MAIN CURRENT

Scale:
 Drawing by: SJ
 Date: 08/04/97

Drawn reference:

Sheet number:

0	1	2	3	4	5	7	8	9
	CRANKCASE HEATING COMPRESSOR 1	CRANKCASE HEATING COMPRESSOR 2	CONTROL 24V-AC	CONTROL CURRENT 220V-AC				



VOLT FREE CONTACTS FOR
REMOTE FAULT INDICATION

F1- F2 CLOSE ON HEATING FAULT
F3- F4 CLOSE ON COOLING FAULT.

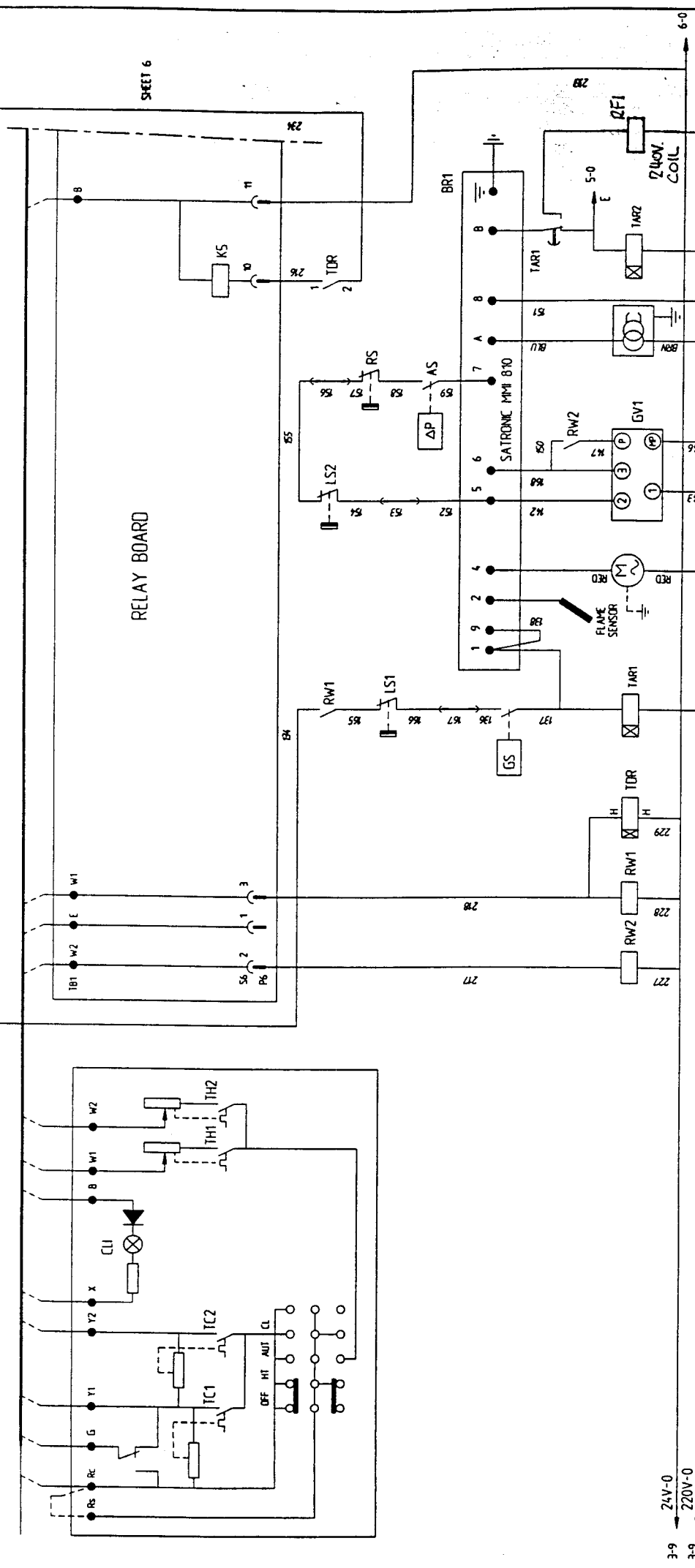
Unit reference TYPE DIG 120 (reset) MAN CURRENT	Size	Drawing reference	Scale Drawing by: SJ Date 01/01/96	Sheet number	Rev



3-9 220V-AC
3-9 24V-AC

5-0
6-0

3-9 24V-0
3-9 220V-0



RELAY BOARD

SHEET 6

Setting point 4 min

Setting point 2 seconds

DRAFT MOTOR

Setting point 4 min

Setting point 2 seconds

no 7	no 5	no 8
------	------	------

York Systems

Unit reference
TYPE DIG 120 (reset)
CONTROL CURRENT

Scale: 1:1
Drawing by: SJ
Date: 01/01/96

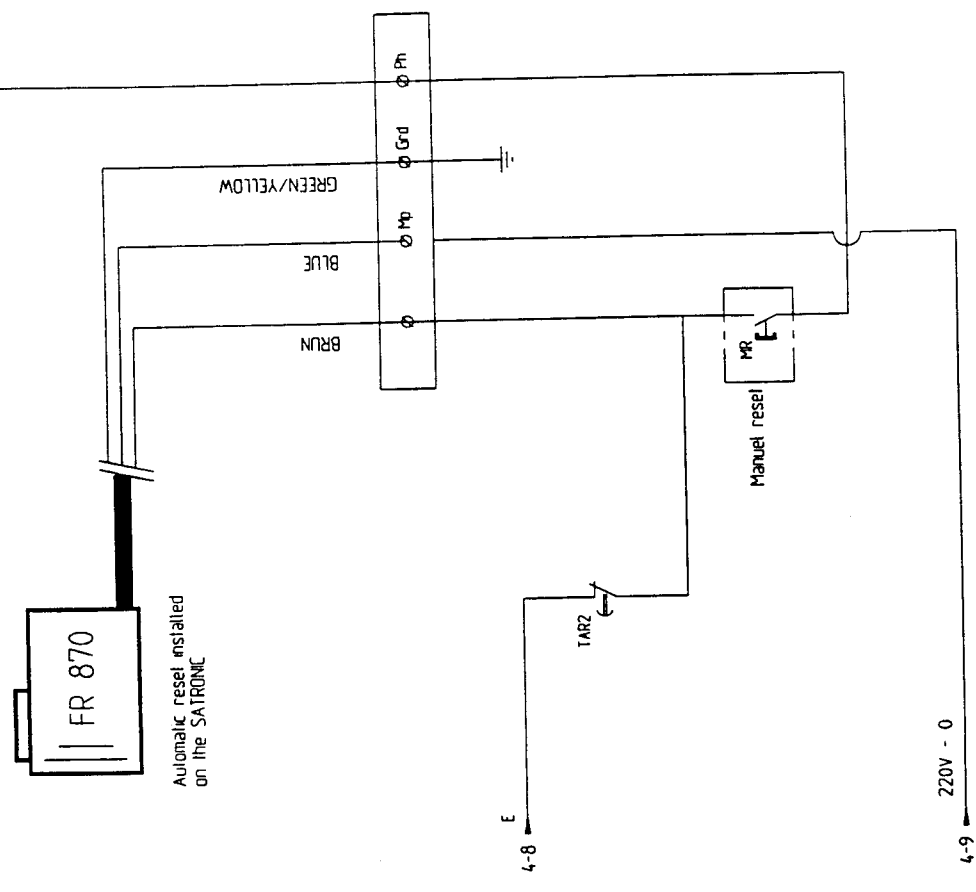
Sheet number: Rev

Drawing reference

Size

0	1	2	3	4	5	7	8	9
---	---	---	---	---	---	---	---	---

4-9 220V - AC



FR 870

Automatic reset installed on the SATRONIC

4-8 E

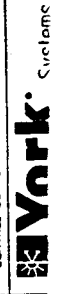
TARZ

Manual reset

MP

4-9 220V - 0

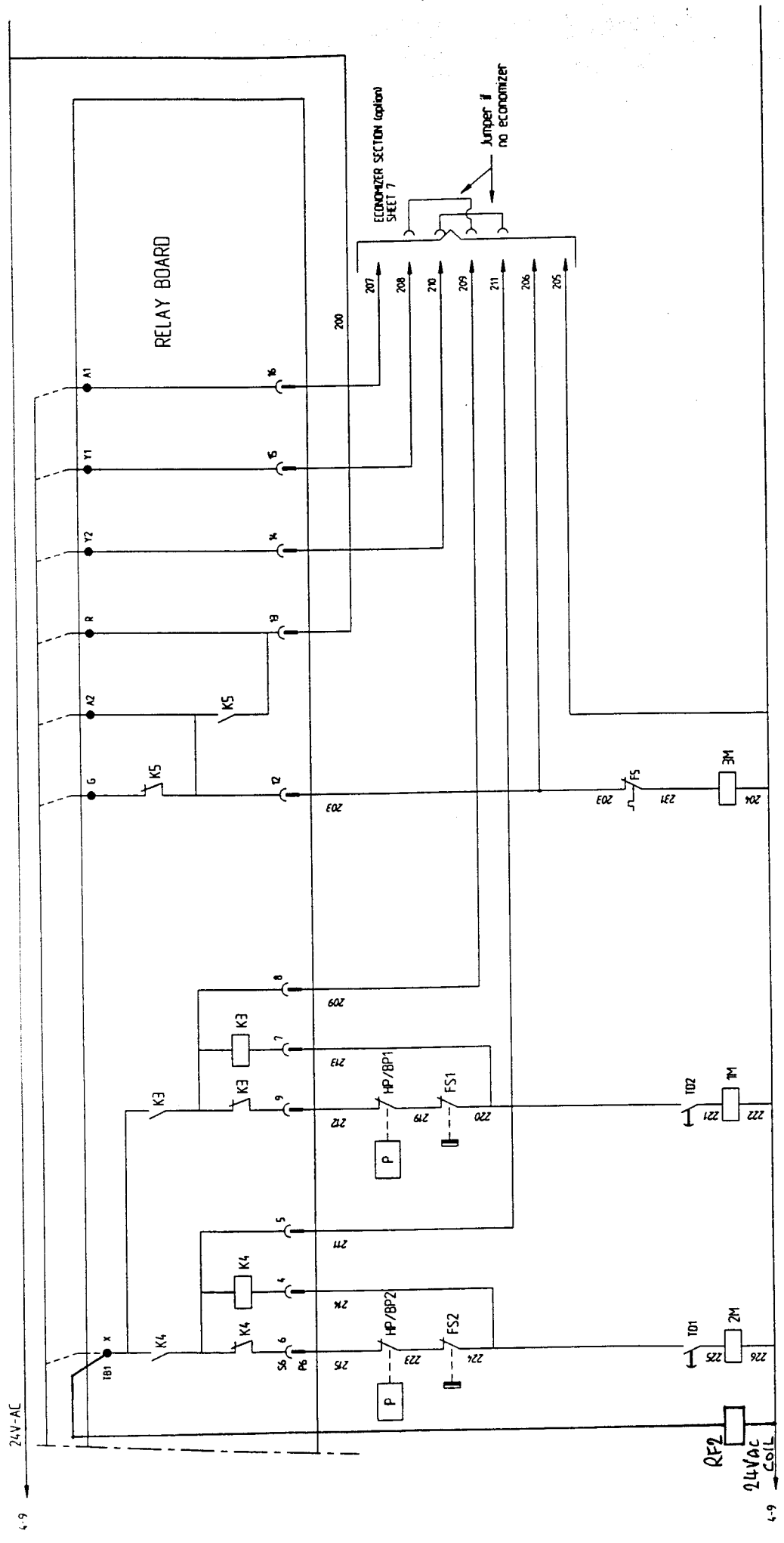
Unit reference TYPE DIG 120 (reset) CONTROL CURRENT	Scale : Drawing by SJ Date 01/01/96	Sheet number	Rev.
Size A /	Drawing reference		



COMPRESS2 / CONDIFAN2

COMPRESS1 / CONDIFAN1

EVAPFAN



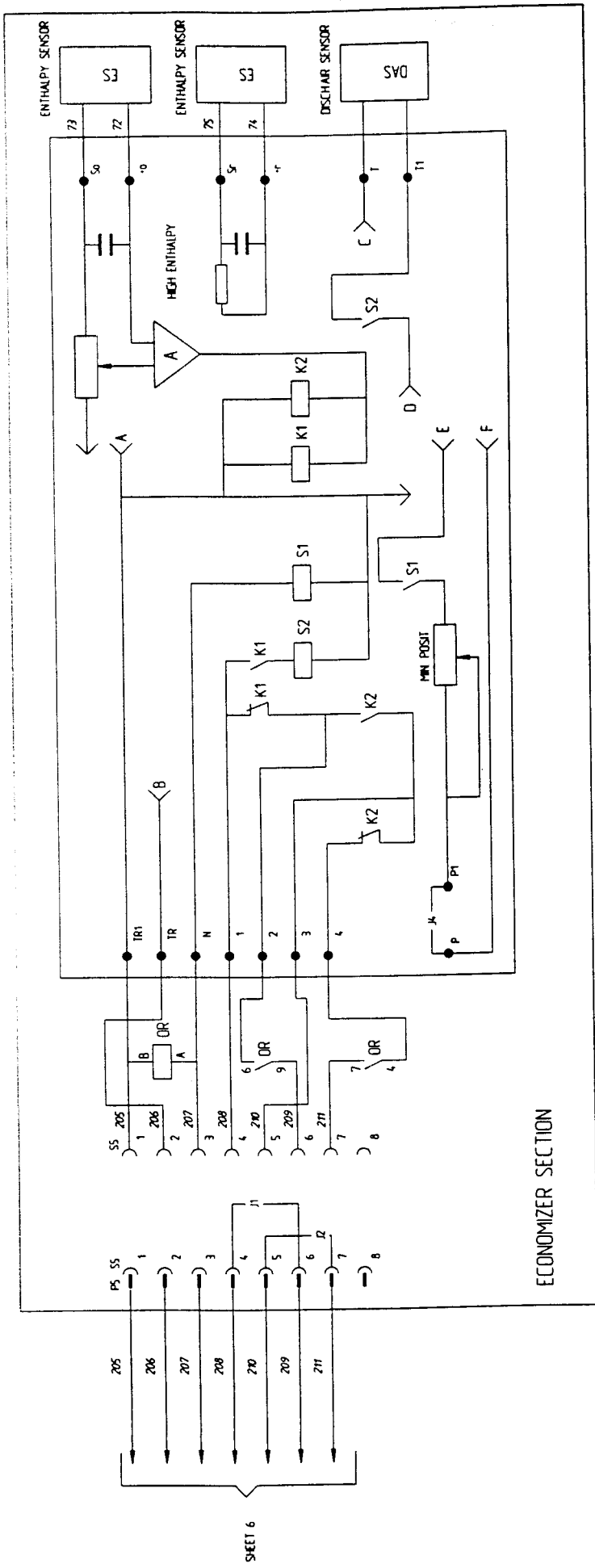
3x no 2-3
2x no 3-2

3x no 2-1
2x no 3-1

no 2-6
no 2-6
no 2-6

Unit reference TYPE DIG 120 (reset) CONTROL CURRENT		Drawing reference 	Sheet number Rev.
York <small>Custom</small>		Scale Drawing by SJ Date: 01/01/96	Size

ECONOMIZER SECTION (OPTION)



ECONOMIZER SECTION

SHEET 6

<p>Unit reference TYPE: DIG 120 (reset) CONTROL CURRENT</p>				<p>Scale Drawing by: SJ Date: 01/01/96</p>
<p>Size</p>		<p>Drawing reference</p>		<p>Sheet number</p>
		<p>Rev.</p>		